



Everest Strainers Line Blinds & Launchers



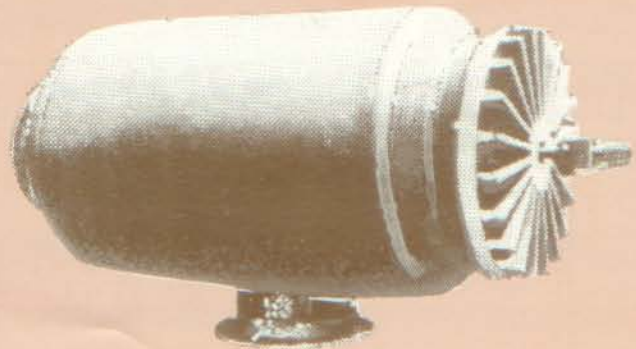
**Type S
Vertical Strainer**



**Type T
Tee Strainer**



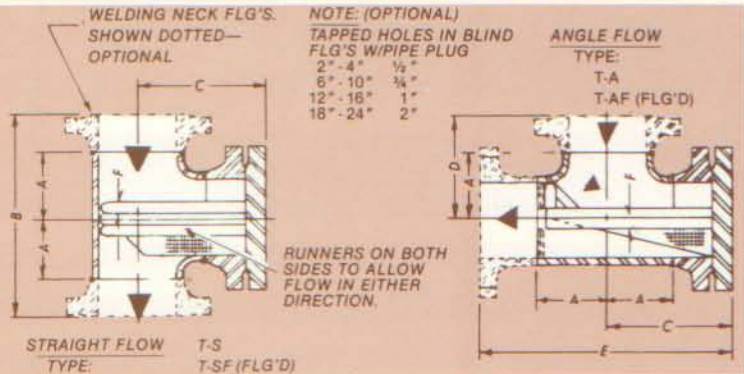
**Special
Strainer**



**Type H
Horizontal Strainer**



Type T Tee Strainers



TYPE T DIMENSIONS IN INCHES

| Pipe Size | A | B | | | C | | | D | | | E | | | F |
|-----------|-----|-----|-----|-----|-----|-----|-----|-----|-----|-----|-----|-----|-----|---|
| | | 150 | 300 | 600 | 150 | 300 | 600 | 150 | 300 | 600 | 150 | 300 | 600 | |
| 2 | 2½ | 10 | 10½ | 11¼ | 5¼ | 6¼ | 6¾ | 5 | 5½ | 5¾ | 10¾ | 11¼ | 12¼ | ¾ |
| 2½ | 3 | 11½ | 12 | 12½ | 6¼ | 7 | 7¼ | 5¼ | 6 | 6¼ | 12¼ | 13 | 13¼ | ¾ |
| 3 | 3¼ | 12¼ | 13 | 13¾ | 7¼ | 7¾ | 8¼ | 6¼ | 6¾ | 6¾ | 13¼ | 14¼ | 15¼ | ¾ |
| 4 | 4¼ | 14¼ | 15 | 16¼ | 8¼ | 8¾ | 10¼ | 7¼ | 7¾ | 8¼ | 15¼ | 16¼ | 18¼ | ¾ |
| 5 | 4¾ | 16¼ | 17¼ | 19¼ | 9¼ | 10¼ | 11¼ | 8¼ | 8¾ | 9¼ | 17¼ | 18¼ | 21¼ | ¾ |
| 6 | 5¼ | 18¼ | 19 | 21 | 10¼ | 10¾ | 12¼ | 9¼ | 9¾ | 10¼ | 19¼ | 20¼ | 23¼ | ¾ |
| 8 | 7 | 22 | 22¼ | 25 | 12¼ | 13 | 14¼ | 11 | 11¼ | 12¼ | 23¼ | 24¼ | 27¼ | ¾ |
| 10 | 8½ | 25 | 26¼ | 29½ | 13¼ | 15 | 17¼ | 12¼ | 13¼ | 14¼ | 26¼ | 28¼ | 32¼ | ¾ |
| 12 | 10 | 29 | 30¼ | 32¼ | 15¼ | 17¼ | 19¼ | 14¼ | 15¼ | 16¼ | 30¼ | 32¼ | 35¼ | ¾ |
| 14 | 11 | 32 | 33¼ | 35½ | 17¼ | 18¼ | 20¼ | 16 | 16¼ | 17¼ | 33¼ | 35¼ | 38¼ | ¾ |
| 16 | 12 | 34 | 35¼ | 38¼ | 18¼ | 20 | 22¼ | 17 | 17¼ | 19¼ | 35¼ | 37¼ | 41¼ | ¾ |
| 18 | 13¼ | 38 | 39¼ | 42 | 20¼ | 22¼ | 24¼ | 19 | 19¼ | 21 | 39¼ | 41¼ | 45¼ | ¾ |
| 20 | 15 | 41¼ | 42¼ | 45¼ | 22¼ | 23¼ | 26¼ | 20¼ | 21¼ | 22¼ | 43¼ | 45¼ | 49¼ | ¾ |
| 24 | 17 | 46 | 47¼ | 50¼ | 24¼ | 26¼ | 29¼ | 23 | 23¼ | 25¼ | 47¼ | 50 | 54¼ | ¾ |

SIZES: 2" THRU 60",
CLASS 150# THRU 900#

- NOTES:
- Flanges may be ordered with any facing.
 - "Quick Opening" closures available.
 - Stainless steel or other alloys available.
 - Companion flanges, bolts and gaskets available.
 - Straight flow type can have flow in either direction.

WHEN ORDERING SPECIFY

1. Type (angle or straight flow)
2. Tee O.D. and I.D.
3. Flange rating and facing
4. Pressure and temperature
5. Corrosion conditions if any
6. Standard strainer inserts ¼" diameter perforated 16 gauge. If other please specify.
7. Inserts available in 304 stainless steel and carbon and alloy mesh.

Line Blinds and Bleed Rings



FOR RAISED FACE OR FLAT FACE FLANGES (IN INCHES)

| LINE SIZE | ID | 150 # | | 300 # | | 400 # | | 600 # | |
|-----------|-----|-------|----|-------|----|-------|----|-------|----|
| | | OD | TK | OD | TK | OD | TK | OD | TK |
| 1 | 1¼ | 2½ | ¾ | 2¾ | ¾ | 2¾ | ¾ | 2¾ | ¾ |
| 1½ | 1¾ | 3¼ | ¾ | 3¼ | ¾ | 3¼ | ¾ | 3¼ | ¾ |
| 2 | 2¼ | 4 | ¾ | 4¼ | ¾ | 4¼ | ¾ | 4¼ | ¾ |
| 3 | 3¼ | 5¼ | ¾ | 5¼ | ¾ | 5¼ | ¾ | 5¼ | ¾ |
| 4 | 4¼ | 6¼ | ¾ | 7 | ¾ | 6¾ | ¾ | 7½ | ¾ |
| 6 | 6¼ | 8¼ | ¾ | 9¼ | ¾ | 9¼ | ¾ | 10¼ | ¾ |
| 8 | 8¼ | 10¼ | ¾ | 12 | ¾ | 11¼ | ¾ | 12¼ | ¾ |
| 10 | 10¼ | 13¼ | ¾ | 14¼ | ¾ | 14 | ¾ | 15¼ | ¾ |
| 12 | 12¼ | 16 | ¾ | 16½ | ¾ | 16¼ | ¾ | 17¼ | ¾ |
| 14 | 14 | 17¼ | ¾ | 19 | ¾ | 18¼ | ¾ | 19¼ | ¾ |
| 16 | 16 | 20 | ¾ | 21¼ | ¾ | 21 | ¾ | 22¼ | ¾ |
| 18 | 18 | 21¼ | ¾ | 23¼ | ¾ | 23¼ | ¾ | 24 | ¾ |
| 20 | 20 | 23¼ | ¾ | 25¼ | ¾ | 25¼ | ¾ | 26¼ | ¾ |
| 24 | 24 | 28¼ | ¾ | 30¼ | ¾ | 30¼ | ¾ | 31 | ¾ |

NOTE: LARGER SIZES & RATINGS, AVAILABLE ON REQUEST.

Features

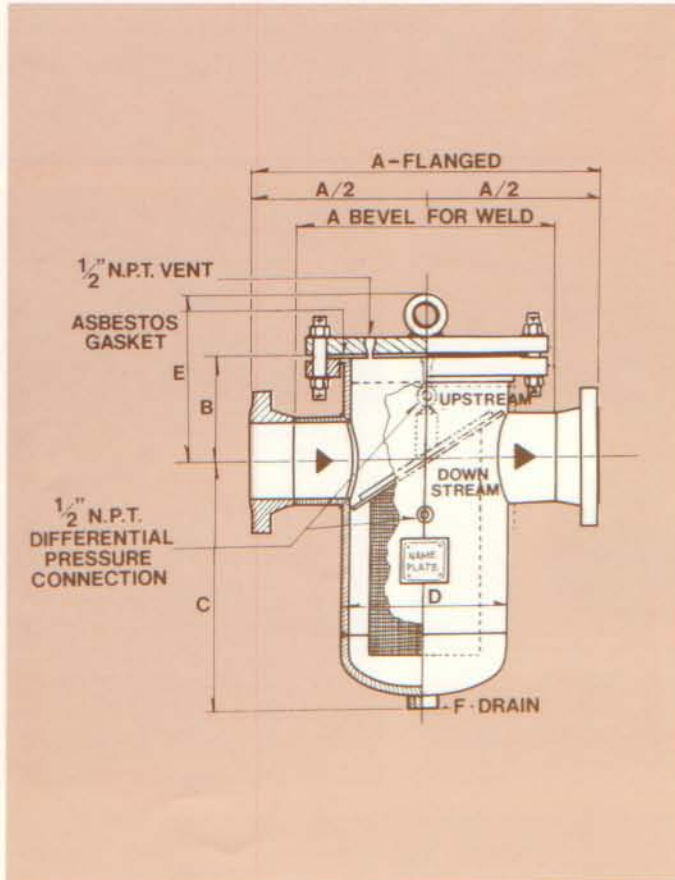
- FIGURE 8 or PADDLE BLINDS
- CARBON STEEL, LOW ALLOY STEEL, STAINLESS STEEL, OR HIGH ALLOYS
- SERRATED, SMOOTH, OR RING JOINT FACING



BLEED RINGS



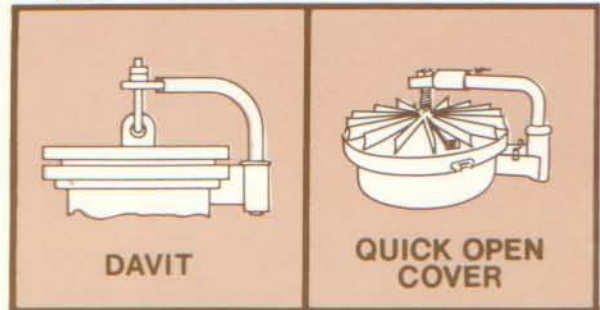
Type S Vertical Basket Strainers



Features

- SIZES: 2" THRU 60", CLASS 150# THRU 900# ANSI
- BODY: CARBON STEEL, STAINLESS STEEL, CHROME MOLY STEEL
- BASKET: CARBON STEEL, STAINLESS STEEL, HIGH ALLOYS (w/or w/o LINERS)

Special Features



| TYPE S AND SF DIMENSIONS IN INCHES | | | | | | | | | | | | | |
|------------------------------------|-----------|--------|--------|--------|--------|--------|--------|--------|-----------|--------|--------|--------|-------|
| NOM- INAL Line SIZE | A ANSI | | | | | B | C | D | E ANSI | | | | F |
| | 150 | 300 | 400 | 600 | BEV. | | | | 150 | 300 | 400 | 600 | |
| 4 | 22 1/4 | 22 1/4 | 23 1/4 | 24 1/4 | 16 1/4 | 8 1/4 | 16 1/4 | 8 1/4 | 13 1/4 | 13 1/4 | 14 1/4 | 14 1/4 | 1 |
| 6 | 29 1/4 | 30 | 30 1/4 | 32 | 22 1/4 | 10 1/4 | 18 1/4 | 10 1/4 | 15 1/4 | 16 1/4 | 17 1/4 | 18 1/4 | 1 |
| 8 | 32 | 32 1/4 | 33 1/4 | 35 | 24 | 14 | 24 1/4 | 12 1/4 | 19 1/4 | 21 1/4 | 21 1/4 | 22 1/4 | 1 1/2 |
| 10 | 36 | 37 1/4 | 38 1/4 | 40 1/4 | 28 | 16 1/4 | 29 1/4 | 16 | 21 1/4 | 23 1/4 | 24 1/4 | 24 1/4 | 1 1/4 |
| 12 | 40 | 41 1/4 | 42 1/4 | 43 1/4 | 31 | 19 1/4 | 34 | 18 | 26 1/4 | 27 1/4 | 27 1/4 | 28 1/4 | 2 |
| 14 | 43 1/4 | 44 1/4 | 45 1/4 | 48 | 33 1/4 | 21 1/4 | 38 1/4 | 20 | 28 1/4 | 29 1/4 | 29 1/4 | 30 1/4 | 2 |
| 16 | 48 1/4 | 50 | 51 | 53 | 38 1/4 | 27 | 43 1/4 | 24 | 33 1/4 | 35 | 35 1/4 | 36 1/4 | 2 |
| 18 | 51 1/4 | 52 1/4 | 53 1/4 | 55 1/4 | 40 1/4 | 30 | 46 1/4 | 24 | 37 | 38 1/4 | 39 1/4 | 39 1/4 | 3 |
| 20 | 55 1/4 | 56 1/4 | 57 1/4 | 59 1/4 | 44 | 32 1/4 | 55 1/4 | 26 | 39 1/4 | 41 1/4 | 42 1/4 | 42 1/4 | 3 |
| 24 | 63 1/4 | 64 1/4 | 65 1/4 | 67 1/4 | 51 1/4 | 31 1/4 | 63 1/4 | 30 | 40 1/4 | 40 1/4 | 42 | 44 | 3 |

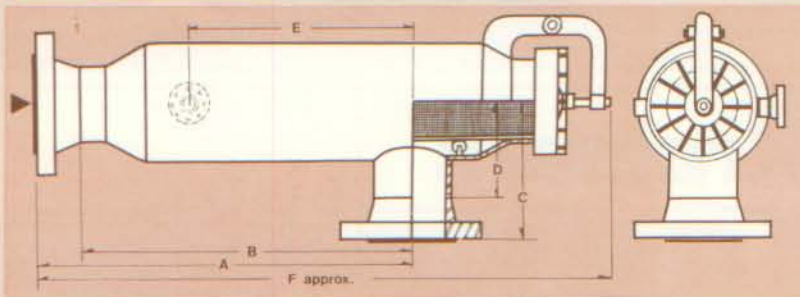
NOTES: ADDITIONAL SIZES AND PRESSURES AVAILABLE UPON REQUEST

Everest Standards

STANDARD STRAINERS MANUFACTURED FOR ANSI-B 31.4 Latest Edition

- OTHER DESIGN CODES AVAILABLE:
- ASME SECTION VIII Div. I
 - ANSI B31.3 or B31.8
 - COAST GUARD SPECIFICATIONS

Type H Horizontal Strainers



SIZES: 4" thru 60"
CLASS 150# thru 900#

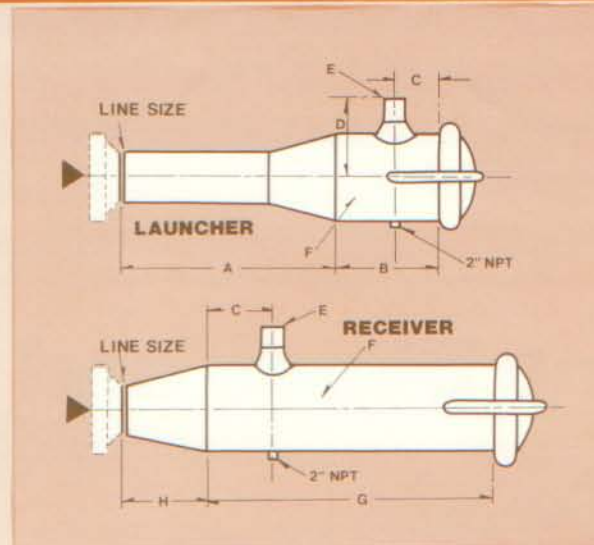
| Nominal Line Size | DIMENSIONS IN INCHES | | | | | | | | | | | | | | | | VENT See Note * | Drain See Note ** | Strainer Body Dia. | Total Basket Area Sq. Ins. |
|-------------------|----------------------|-----|-----|-----|-----|------|-----|-----|-----|-----|-----|------|-----|-----|-----|-----|-----------------|-------------------|--------------------|----------------------------|
| | A | | | | B | C | | | | D | E | F | | | | | | | | |
| | ANSI | | | | | ANSI | | | | | | ANSI | | | | | | | | |
| 150 | 300 | 400 | 600 | 150 | 300 | 400 | 600 | 150 | 300 | 400 | 600 | 150 | 300 | 400 | 600 | | | | | |
| 4 | 38 | 39 | 39 | 40 | 34 | 15 | 15 | 15 | 16 | 11 | 18 | 59 | 61 | 61 | 63 | 1/2 | 1 | 10 | 565 | |
| 6 | 42 | 43 | 43 | 44 | 37 | 17 | 18 | 18 | 19 | 12 | 21 | 68 | 70 | 70 | 72 | 1 | 2 | 12 | 999 | |
| 8 | 44 | 45 | 45 | 46 | 39 | 18 | 19 | 19 | 20 | 13 | 23 | 73 | 75 | 75 | 77 | 1 | 2 | 16 | 1,470 | |
| 10 | 46 | 48 | 49 | 50 | 40 | 20 | 22 | 23 | 24 | 14 | 25 | 79 | 83 | 84 | 87 | 1 | 2 | 18 | 1,866 | |
| 12 | 49 | 50 | 51 | 51 | 43 | 22 | 23 | 24 | 24 | 16 | 27 | 87 | 89 | 91 | 91 | 1 | 2 | 20 | 2,450 | |
| 14 | 52 | 53 | 54 | 54 | 45 | 24 | 25 | 26 | 26 | 17 | 28 | 94 | 96 | 98 | 98 | 1 | 4 | 20 | 3,006 | |
| 16 | 55 | 56 | 57 | 57 | 48 | 25 | 26 | 27 | 28 | 18 | 30 | 102 | 104 | 106 | 106 | 1 | 4 | 24 | 3,732 | |
| 18 | 58 | 59 | 59 | 60 | 51 | 26 | 27 | 27 | 28 | 19 | 34 | 110 | 112 | 113 | 114 | 1 | 4 | 26 | 4,533 | |
| 20 | 60 | 61 | 61 | 62 | 52 | 29 | 30 | 30 | 31 | 21 | 34 | 118 | 120 | 121 | 123 | 1 | 4 | 30 | 5,410 | |
| 24 | 66 | 67 | 68 | 68 | 58 | 32 | 33 | 34 | 34 | 24 | 36 | 132 | 134 | 136 | 136 | 1 | 4 | 36 | 7,384 | |

NOTES:
 *SCREWED
 **SCREWED, FLANGED OR WELD-END

Pig Launchers & Receivers

| LINE SIZE | DIMENSIONS IN INCHES | | | | | | | |
|-----------|----------------------|----|---|--------|---|----|----|-------|
| | A | B | C | D | E | F | G | H |
| 4 | 25 1/2 | 20 | 6 | 9 1/4 | 2 | 6 | 24 | 5 1/2 |
| 6 | 28 | 20 | 6 | 10 1/4 | 3 | 8 | 36 | 6 |
| 8 | 29 | 20 | 6 | 11 1/4 | 3 | 10 | 38 | 7 |
| 10 | 30 | 20 | 6 | 12 1/4 | 3 | 12 | 42 | 8 |
| 12 | 38 | 20 | 6 | 13 | 4 | 14 | 48 | 10 |
| 14 | 42 | 22 | 7 | 14 | 4 | 16 | 54 | 10 |
| 16 | 50 | 24 | 7 | 15 | 6 | 18 | 62 | 12 |
| 18 | 52 | 26 | 8 | 16 | 6 | 20 | 66 | 12 |
| 20 | 58 | 26 | 8 | 17 | 6 | 22 | 72 | 12 |
| 24 | 62 | 28 | 9 | 19 | 6 | 26 | 78 | 12 |

NOTE: (1). E&F are Nominal Pipe Sizes
 (2). ANSI or API 150# THRU 900# FLANGES-OPTIONAL
 (3). QUICK OPEN CLOSURES-TUBE TURN, UNIBOLT, or HUBER YALE
 (4). LARGER SIZES AVAILABLE ON REQUEST



P.O. BOX 24295 / HOUSTON, TEXAS 77013
 713 / 721-1802